

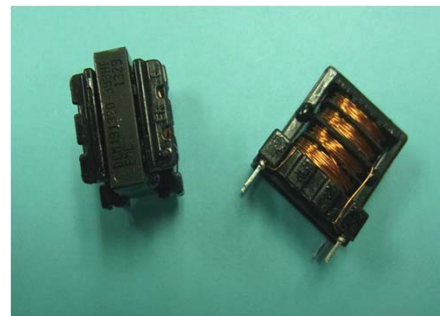


DCM191320V Series

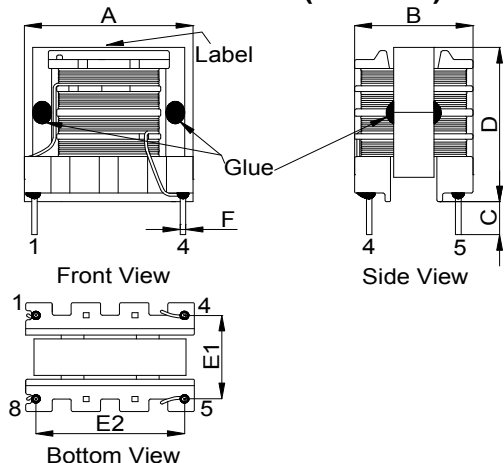


1. Features:

- 18.5×13.0mm Max.(L×W), 20.0mm Max. Height.
- Inductance range: 3.5mH~47mH, Custom values are welcomed.
- Ideally used as AC common mode noise filter for TV, VCR, Switch Mode Power Supply, Inverter, LED Driver and Industrial Equipment. attenuation and control unit with better characteristics in low frequency band.
- Dielectric strength: 1500Vrms, winding to winding.
- UL Class B Compliance Common Mode Chokes.
- Operating temperature: -55 to +130°C .



2. Mechanical Dimension (Unit:mm):



Unit in mm:

A	B	C	D	E1	E2	F
Max .	Max.	±0.5	Max.	±0.5	±0.5	Ref.
18.5	13.0	3.5	20.0	10.0	15.0	0.6

3. Electrical Characteristic of DCM191320V Series :

Part Number	L (mH) ±30%	Irate (A) Max	DCR (Ω) Max
DCM191320V-352NHF	3.5	1.80	0.230
DCM191320V-502NHF	5.0	1.20	0.350
DCM191320V-902NHF	9.0	1.00	0.500
DCM191320V-153NHF	15.0	0.63	0.960
DCM191320V-273NHF	27.0	0.50	1.650
DCM191320V-393NHF	39.0	0.40	2.300
DCM191320V-473NHF	47.0	0.35	2.750

Test Condition:

1. Open Circuit Inductance (OCL) measured at 10KHz, 0.05Vrms, 0 Amp at 25°C .
2. Irate is defined as the applied current level that cause 35 °C temperature rise without force air flow.
3. Impedance measures with both windings in parallel and at ambient temperature(25°C).

4. Impedance vs. Frequency Curve:

