

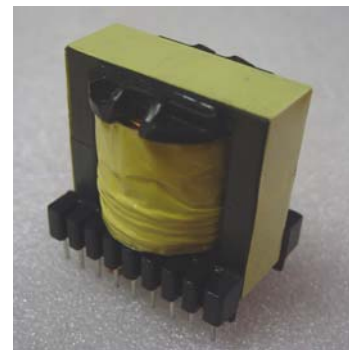


PFC02473452DV Series

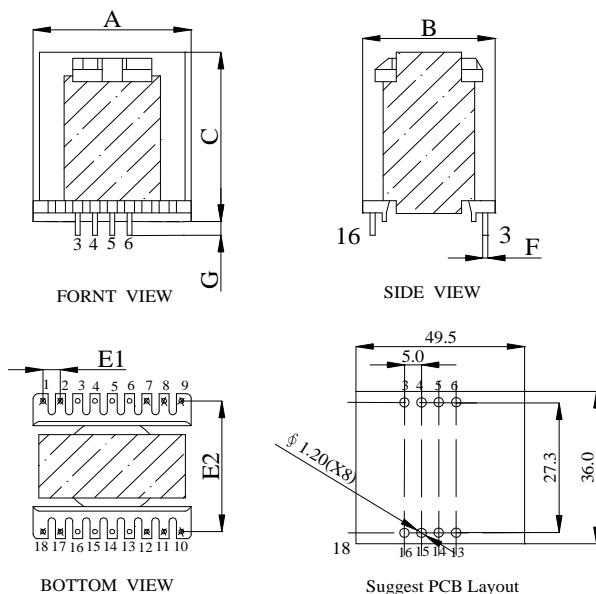


1. Features:

- Ferrite core is used to realize lower core loss.
- Ideally used as Power Factor Correction choke.
- Also can be used as boost inductor in power supplies.
- 47.0mm×34.0×52.0mm (L×W×H) Max. Custom value are welcomed.
- Operating Temperature Range -55°C to + 130°C;RoHs & HF compliance.



2. Mechanical Dimension(Unit:mm):



Type	PFC02473452DV
A	47.0 (Max.)
B	34.0 (Max.)
C	52.0 (Max.)
G	3.5 ± 1.0
E1	5.0 ± 0.5
E2	27.3 ± 0.5
F	Ø1.0 ± 0.1

3. Electrical Characteristic of PFC02473452DV Series:

Part Number	OCL (uH) ±20%	DCR (mΩ) (Typ.)	DCR (mΩ) (Max.)	Irms (A) @25°C	L@Irms (uH) Typ.	Isat ¹ (A) @25°C	L@Isat ¹ (uH) Typ.	Isat ² (A) @25°C	L@Isat ² (uH) Typ.	Isat ³ (A) @100°C	L@Isat ³ (uH) Typ.
PFC02473452DV-221MHF	220.0	51.4	65.0	14.0	202.6	14.5	196.0	16.8	153.6	13.2	174.0
PFC02473452DV-251MHF	250.0	56.8	72.0	13.0	229.9	14.0	221.5	16.5	175.5	13.0	184.1

Note:

- 1.OCL (Open Circuit Inductance) and L@Irms and L@Isat are measured at:100KHz, 0.25V @ 25°C.
- 2.Measured with pin(3,4,5,6)~pin(13,14,15,16).Pin 3&4&5&6 connected,Pin 13&14&15&16 connected,Pin1,2,7,8,9,10,11,12,17,18 cut off.
- 3.Isat¹:DC current that causes inductance to drop by approximately 10% from OCL at 25°C.
- 4.Isat²:DC current that causes inductance to drop by approximately 30% from OCL at 25°C.
- 5.Isat³:DC current that causes inductance to drop by approximately 30% from OCL at 100°C.
- 6.Irms:DC current that causes an approximate temperature rise (ΔT) of 40°C.
- 7.Inductance Vs. DC bias curve,please see the next page to get more detail information.



PFC02473452DV Series



Inductance vs. Current

