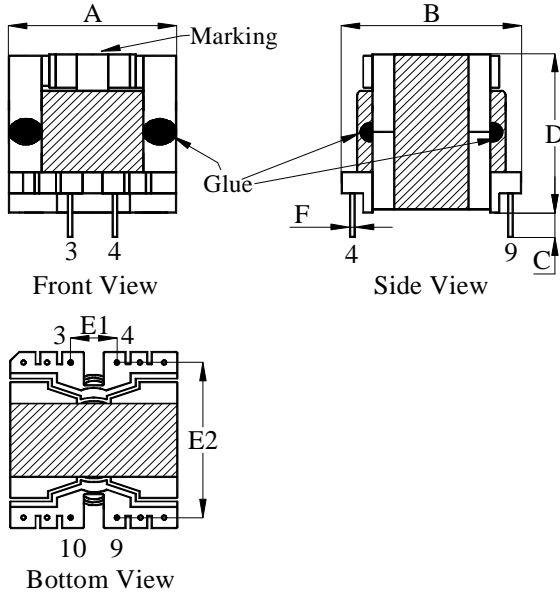




CUSTOMER		REV NO	1.0
DESCRIPTION	200uH,9.8Amp, 85mOhm Max. PFC Chokes	PAGE NO	1 of 5
PART NO	PFC05283028DV-201MHF	DATE	2013/7/30

### 1.CONFIGURATIONS & DIMENSIONS:



A	28.5	Max.	mm
B	30.5	Max.	mm
C	3.5	± 1.0	mm
D	28.5	Max.	mm
E1	7.5	± 0.5	mm
E2	25.5	± 0.5	mm
F	0.7	± 0.1	mm

Notes: 1. Marking:

PFC05283028DV-201MHF  
YYWW

YY:Year ; WW:Week

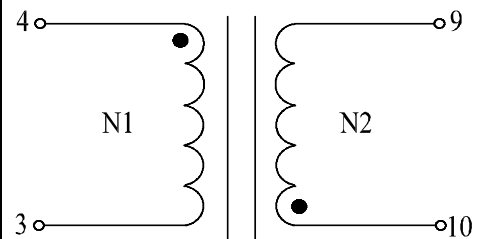
2. Pin 1,2,5,6,7,8,11,12 Cut off;

3. Fix cores with 3 turns insulation tape and epoxy.

### 2.ELECTRICAL CHARACTERISTICS:

TEST CONDITION			
100KHz 0.25V	L(4-3)	200.0 uH	± 20%
100KHz 0.25V Isat <sup>1</sup> =8.6A at 25°C	L@Isat <sup>1</sup>	L Lower by 10% (TYP)	
100KHz 0.25V Isat <sup>2</sup> =9.8A at 25°C	L@Isat <sup>2</sup>	L Lower by 30% (TYP)	
100KHz 0.25V Isat <sup>3</sup> =7.6A at 100°C	L@Isat <sup>3</sup>	L Lower by 30% (TYP)	
100KHz 0.25V Irms=6.5A	ΔT	Temperature rise by 40°C	
Ta=25°C	DCR(4-3)	85.0 mΩ	(Max)
Ta=25°C	DCR(10-9)	220.0 mΩ	(Max)
HI-POT TEST(N1 TO N2)		AC 1.5KV 5mA 2S 50/60Hz	

### 3.SCHEMATIC DIAGRAM



NOTES: " • " START OF WINDING

Note:

- 1.Isat<sup>1</sup>:DC current that causes inductance to drop by approximately 10% from OCL at 25°C.
- 2.Isat<sup>2</sup>:DC current that causes inductance to drop by approximately 30% from OCL at 25°C.
- 3.Isat<sup>3</sup>:DC current that causes inductance to drop by approximately 30% from OCL at 100°C.
- 4.Irms:DC current that causes an approximate temperature rise (ΔT) of 40°C.

Operating temperature: -25°C ~ +125°C

### 4.TEST INSTRUMENTS

L&L@Isat&ΔT:WK3260A and WK3265B.

DCR:TH2512B.

HI-POT: CH19053.

● Taiwan 886 2 2698 9699 ● Dongguan 86 769 8791 5567 ● Suzhou 86 512 6832 1472

Sales@easymagnet.com.tw www.easymagnet.com.tw



CUSTOMER		REV NO	1.0
DESCRIPTION	200uH,9.8Amp, 85mOhm Max. PFC Chokes	PAGE NO	3 of 5
PART NO	PFC05283028DV-201MHF	DATE	2013/7/30

**6.TEST DATA FOR MECHANICAL**

TEST	A	B	C	D	E1	E2	F	G	H	I	J
ITEM	mm	mm	mm	mm	mm	mm	mm	mm	mm	mm	mm
SPEC	28.5	30.5	3.5 ±	28.5	7.5 ±	25.5 ±	0.7 ±				
	Max.	Max.	1.0	Max.	0.5	0.5	0.1				
1	27.11	29.11	3.85	26.43	7.41	25.51	0.68				
2	27.33	29.03	3.74	26.32	7.45	25.48	0.67				
3											
4											
5											
6											
7											
8											
9											
10											
AVERAGE	27.22	29.07	3.80	26.38	7.43	25.50	0.68				

REMARK:



CUSTOMER		REV NO	1.0
DESCRIPTION	200uH,9.8Amp, 85mOhm Max. PFC Chokes	PAGE NO	4 of 5
PART NO	PFC05283028DV-201MHF	DATE	2013/7/30

**7. TEST DATA FOR ELECTRICAL**

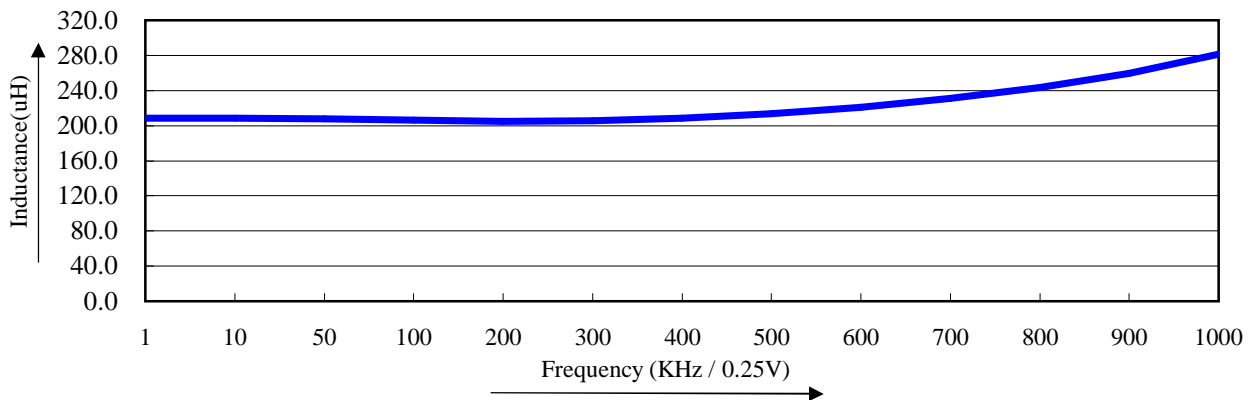
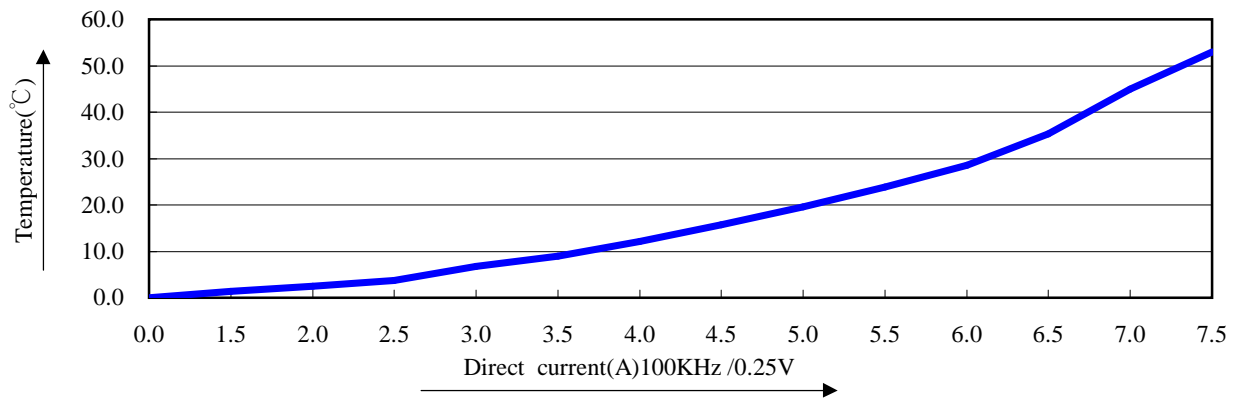
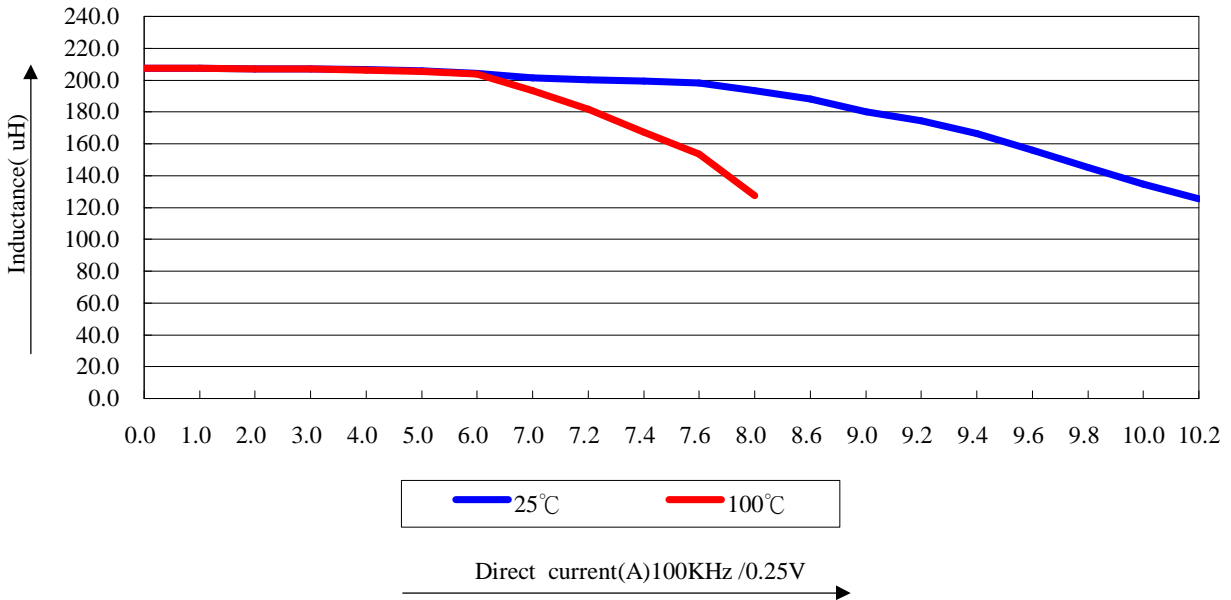
TEST ITEM	L(4-3) uH	L@Isat <sup>1</sup> uH	L@Isat <sup>2</sup> uH	L@Isat <sup>3</sup> uH	DCR(4-3) mΩ	DCR(10-9) mΩ	HI-POT TEST
CON.	100KHz 0.25V	100KHz 0.25V Isat <sup>1</sup> =8.6A at 25°C	100KHz 0.25V Isat <sup>2</sup> =9.8A at 25°C	100KHz 0.25V Isat <sup>3</sup> =7.6A at 100°C	Ta=25°C	Ta=25°C	N1 TO N2
SPEC	200.0 ± 20%	L Lower by 10% (TYP)	L Lower by 30% (TYP)	L Lower by 30% (TYP)	85.0  (Max)	220.0  (Max)	AC 1.5KV 5mA 2S 50/60Hz
1	207.26	188.12	145.16	153.50	63.96	166.20	Pass
2	208.30	189.50	148.40	154.83	65.12	176.47	Pass
3							
4							
5							
6							
7							
8							
9							
10							
AVERAGE	207.78	188.81	146.78	154.17	64.54	171.34	N/A

**REMARK:**



CUSTOMER		REV NO	1.0
DESCRIPTION	200uH,9.8Amp, 85mOhm Max. PFC Chokes	PAGE NO	5 of 5
PART NO	PFC05283028DV-201MHF	DATE	2013/7/30

### 8.ELECTRIE CHARACTERISTICS.



● Taiwan 886 2 2698 9699 ● Dongguan 86 769 8791 5567 ● Suzhou 86 512 6832 1472

[Sales@easymagnet.com.tw](mailto:Sales@easymagnet.com.tw) [www.easymagnet.com.tw](http://www.easymagnet.com.tw)