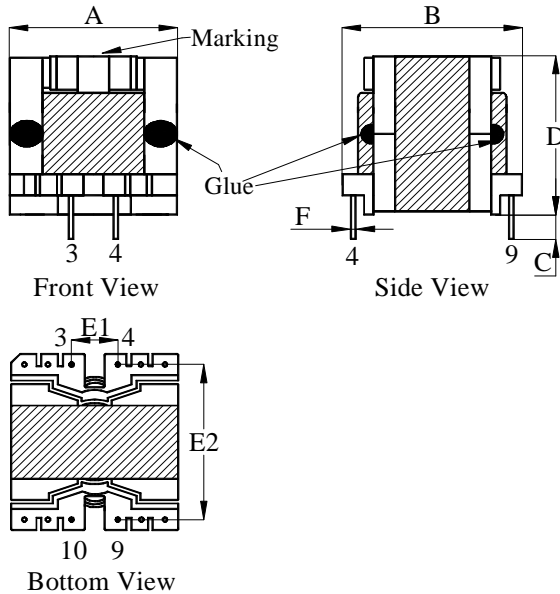




CUSTOMER		REV NO	1.0
DESCRIPTION	200uH,11.0Amp, 85mOhm Max. PFC Chokes	PAGE NO	1 of 4
PART NO	PFC05283028DV-201MHF-C	DATE	2013/7/30

1.CONFIGURATIONS & DIMENSIONS:



A	28.5	Max.	mm
B	30.5	Max.	mm
C	3.5	± 1.0	mm
D	28.5	Max.	mm
E1	7.5	± 0.5	mm
E2	25.5	± 0.5	mm
F	0.7	± 0.1	mm

Notes: 1. Marking:

PFC05283028DV-201MHF -C
YYWW

YY:Year ; WW:Week

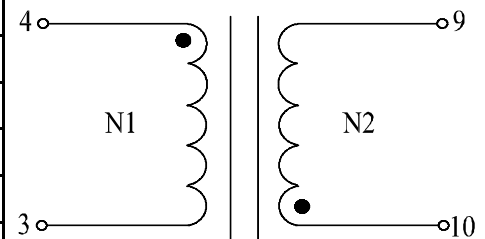
2. Pin 1,2,5,6,7,8,11,12 Cut off;

3. Fix cores with 3 turns insulation tape and epoxy.

2.ELECTRICAL CHARACTERISTICS:

TEST CONDITION	Ta@25°C	
100KHz 0.25V	L(4-3)	200.0 uH ± 20%
100KHz 0.25V Isat ¹ =10.2A at 25°C	L@Isat ¹	L Lower by 10% (TYP)
100KHz 0.25V Isat ² =11.0A at 25°C	L@Isat ²	L Lower by 30% (TYP)
100KHz 0.25V Isat ³ =9.6A at 100°C	L@Isat ³	L Lower by 30% (TYP)
100KHz 0.25V Irms=6.5A	ΔT	Temperature rise by 40°C
Ta=25°C	DCR(4-3)	85.0 mΩ (Max)
Ta=25°C	DCR(10-9)	250.0 mΩ (Max)
HI-POT TEST(N1 TO N2)	AC 1.5KV 5mA 2S 50/60Hz	

3.SCHEMATIC DIAGRAM



NOTES: " • " START OF WINDING

Note:

- 1.Isat¹:DC current that causes inductance to drop by approximately 10% from OCL at 25°C.
- 2.Isat²:DC current that causes inductance to drop by approximately 30% from OCL at 25°C.
- 3.Isat³:DC current that causes inductance to drop by approximately 30% from OCL at 100°C.
- 4.Irms:DC current that causes an approximate temperature rise (ΔT) of 40°C.

Operating temperature: -25°C ~+125°C

4.TEST INSTRUMENTS

L&L@Isat&ΔT:WK3260A and WK3265B.

DCR:TH2512B.

HI-POT: CH19053.

● Taiwan 886 2 2698 9699 ● Dongguan 86 769 8791 5567 ● Suzhou 86 512 6832 1472

Sales@easymagnet.com.tw www.easymagnet.com.tw

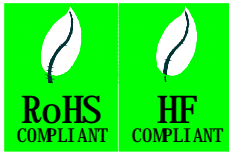


CUSTOMER		REV NO	1.0
DESCRIPTION	200uH,11.0Amp, 85mOhm Max. PFC Chokes	PAGE NO	2 of 4
PART NO	PFC05283028DV-201MHF-C	DATE	2013/7/30

6.TEST DATA FOR MECHANICAL

TEST	A	B	C	D	E1	E2	F	G	H	I	J
ITEM	mm	mm	mm	mm	mm	mm	mm	mm	mm	mm	mm
SPEC	28.5	30.5	3.5 ±	28.5	7.5 ±	25.5 ±	0.7 ±				
	Max.	Max.	1.0	Max.	0.5	0.5	0.1				
1	27.19	29.14	3.63	26.54	7.51	25.56	0.67				
2											
3											
4											
5											
6											
7											
8											
9											
10											
AVERAGE	27.19	29.14	3.63	26.54	7.51	25.56	0.67				

REMARK:



CUSTOMER		REV NO	1.0
DESCRIPTION	200uH,11.0Amp, 85mOhm Max. PFC Chokes	PAGE NO	3 of 4
PART NO	PFC05283028DV-201MHF-C	DATE	2013/7/30

7. TEST DATA FOR ELECTRICAL

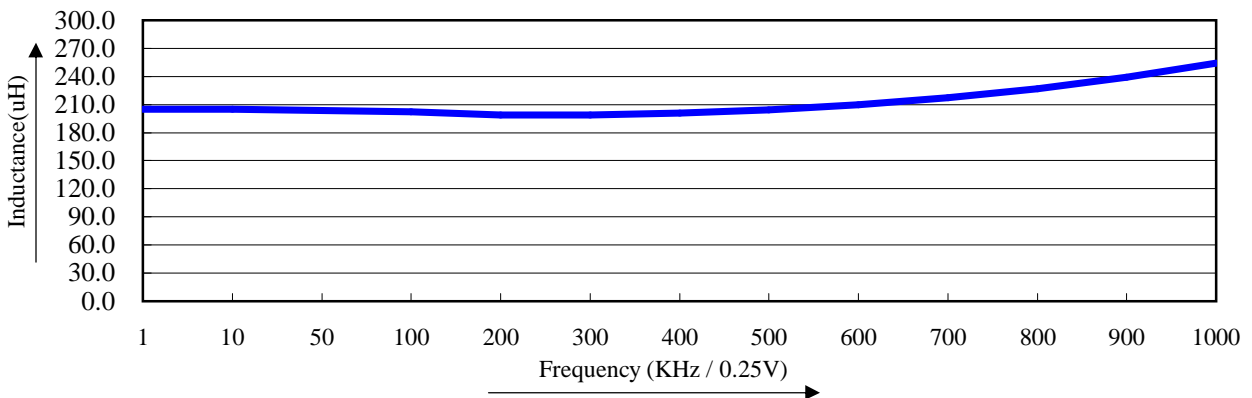
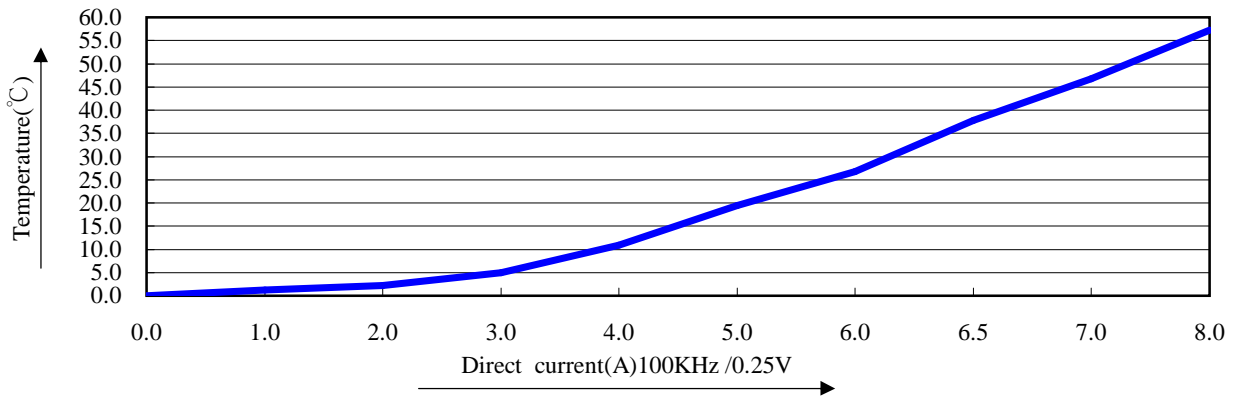
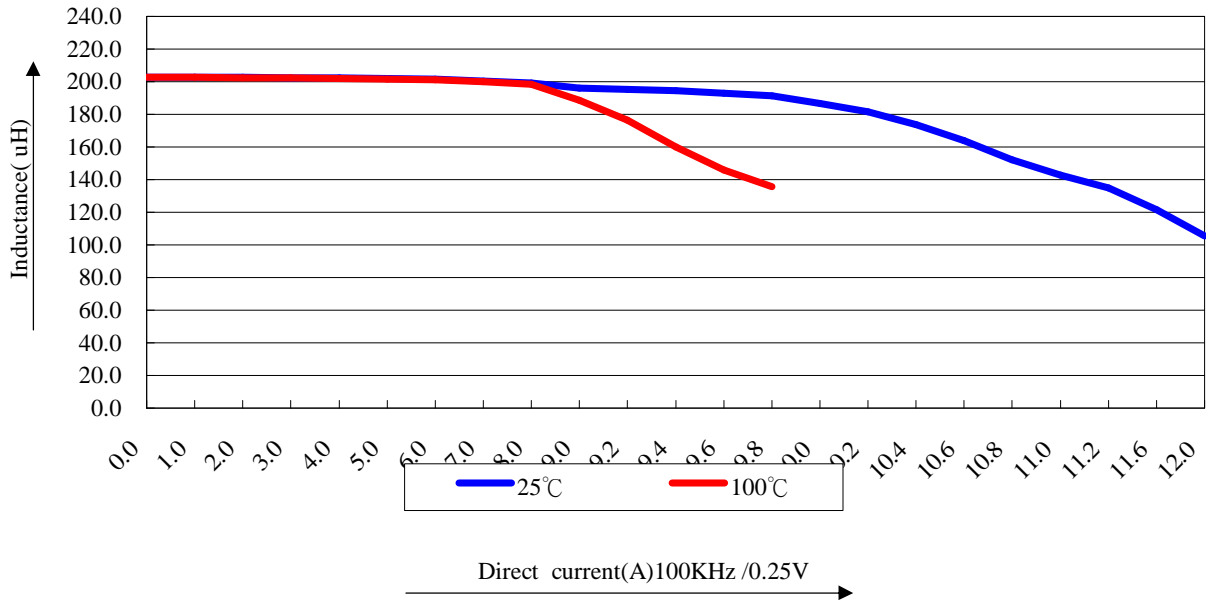
TEST ITEM	L(4-3) uH	L@Isat ¹ uH	L@Isat ² uH	L@Isat ³ uH	DCR(4-3) mΩ	DCR(10-9) mΩ	HI-POT TEST
CON.	100KHz 0.25V	100KHz 0.25V Isat ¹ =10.2A at 25°C	100KHz 0.25V Isat ² =11.0A at 25°C	100KHz 0.25V Isat ³ =9.6A at 100°C	Ta=25°C	Ta=25°C	N1 TO N2
SPEC	200.0 ± 20%	L Lower by 10% (TYP)	L Lower by 30% (TYP)	L Lower by 30% (TYP)	85.0 (Max)	250.0 (Max)	AC 1.5KV 5mA 2S 50/60Hz
1	202.60	181.76	142.58	146.00	72.63	209.00	Pass
2							
3							
4							
5							
6							
7							
8							
9							
10							
AVERAGE	202.60	181.76	142.58	146.00	72.63	209.00	N/A

REMARK:



CUSTOMER		REV NO	1.0
DESCRIPTION	200uH,11.0Amp, 85mOhm Max. PFC Chokes	PAGE NO	4 of 4
PART NO	PFC05283028DV-201MHF-C	DATE	2013/7/30

8.ELECTRIE CHARACTERISTICS.



● Taiwan 886 2 2698 9699 ● Dongguan 86 769 8791 5567 ● Suzhou 86 512 6832 1472

Sales@easymagnet.com.tw www.easymagnet.com.tw