

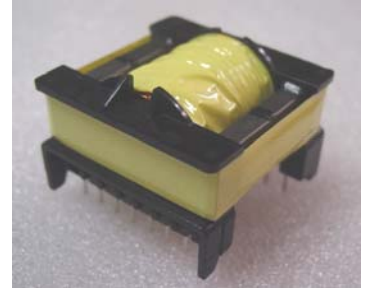


# PFC02454440DH Series

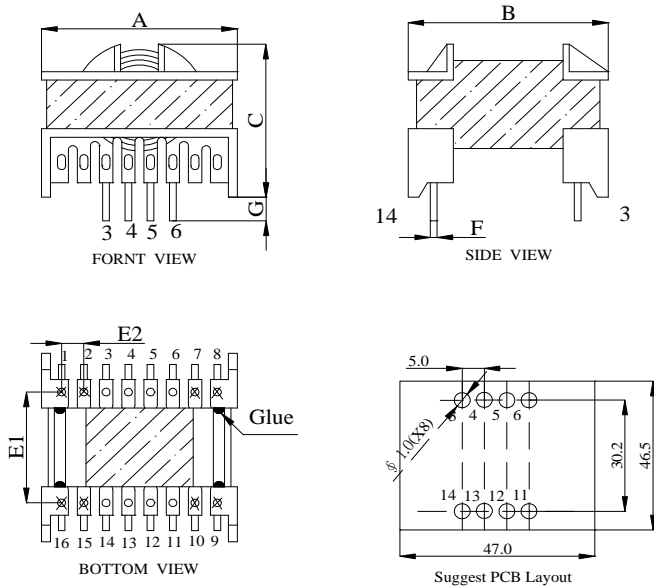


## 1. Features:

- Ferrite cores are used to realize lower core loss.
- Ideally used as Power Factor Correction choke.
- Also can be used as boost inductor in power supplies.
- 45.0mm×44.0×40.0mm (L×W×H) Max. Custom value are welcomed.
- Operating Temperature Range -55°C to + 130°C;RoHs & HF compliance.



## 2. Mechanical Dimension(Unit:mm):



Type	PFC02454440DH
A	45.0 (Max.)
B	44.0 (Max.)
C	40.0 (Max.)
G	3.5 ± 1.0
E1	30.2 ± 0.5
E2	5.0 ± 0.5
F	Ø1.0 ± 0.1

## 3. Electrical Characteristic of PFC02454440DH Series:

Part Number	OCL (uH) ±20%	DCR (mΩ) (Typ.)	DCR (mΩ) (Max.)	I <sub>rms</sub> (A) @25°C	L@I <sub>rms</sub> (uH) Typ.	I <sub>sat</sub> <sup>1</sup> (A) @25°C	L@I <sub>sat</sub> <sup>1</sup> (uH) Typ.	I <sub>sat</sub> <sup>2</sup> (A) @25°C	L@I <sub>sat</sub> <sup>2</sup> (uH) Typ.	I <sub>sat</sub> <sup>3</sup> (A) @100°C	L@I <sub>sat</sub> <sup>3</sup> (uH) Typ.
PFC02454440DH-221MHF	220.00	81.36	100.00	8.50	207.63	11.00	196.36	14.00	154.52	11.00	157.74
PFC02454440DH-251MHF	250.00	80.78	100.00	8.50	232.32	9.50	226.04	12.00	176.58	9.60	182.50

### Note:

- 1.OCL (Open Circuit Inductance) and L@I<sub>rms</sub> and L@I<sub>sat</sub> are measured at:100KHz, 0.25V @ 25°C.
- 2.Measured with pin(3,4,5,6)~pin(11,12,13,14),Pin 3&4&5&6 connected,Pin11&12&13&14 connected,Pin 1,2,7,8,9,10,15,16 cut off.
- 3.I<sub>sat</sub><sup>1</sup>:DC current that causes inductance to drop by approximately 10% from OCL at 25°C.
- 4.I<sub>sat</sub><sup>2</sup>:DC current that causes inductance to drop by approximately 30% from OCL at 25°C.
- 5.I<sub>sat</sub><sup>3</sup>:DC current that causes inductance to drop by approximately 30% from OCL at 100°C.
- 6.I<sub>rms</sub>:DC current that causes an approximate temperature rise (ΔT) of 40°C.
- 7.Inductance Vs. DC bias curve,please see the next page to get more detail information.



# PFC02454440DH Series

## Inductance vs. Current

