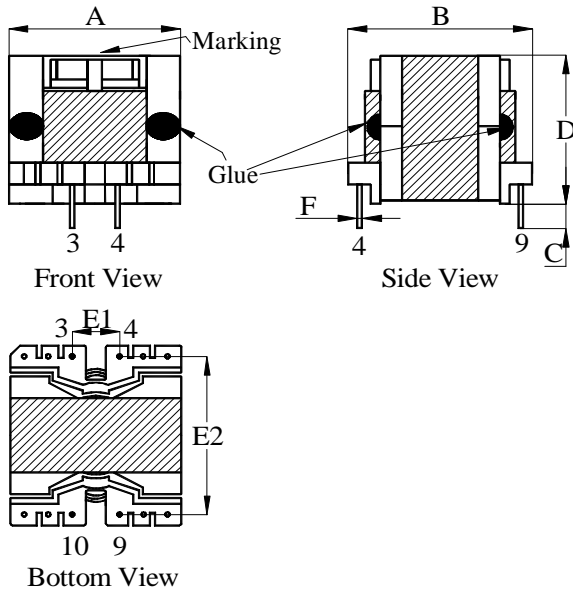




CUSTOMER		REV NO	1.0
DESCRIPTION	200uH,13.6Amp, 120mOhm Max. PFC Chokes	PAGE NO	1 of 4
PART NO	PFC05343527DV-201MHF	DATE	2013/7/30

1.CONFIGURATIONS & DIMENSIONS:

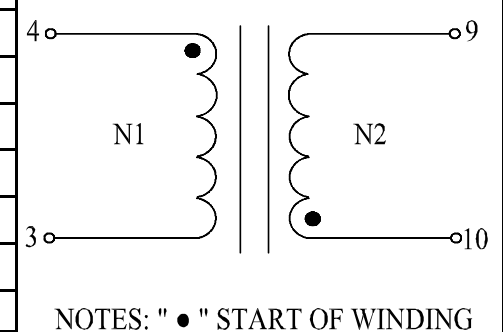


A	34.0	Max.	mm
B	35.0	Max.	mm
C	3.5 ± 1.0		mm
D	27.0	Max.	mm
E1	7.62 ± 0.5		mm
E2	30.0 ± 0.5		mm
F	0.8 ± 0.1		mm

2.ELECTRICAL CHARACTERISTICS:

TEST CONDITION			
100KHz 0.25V	L(4-3)	200.0 uH	± 20%
100KHz 0.25V Isat ¹ =12.4A @25°C	L@Isat ¹	L Lower by 10% (TYP)	
100KHz 0.25V Isat ² =13.6A @25°C	L@Isat ²	L Lower by 30% (TYP)	
100KHz 0.25V Isat ³ =10.4A @100°C	L@Isat ³	L Lower by 30% (TYP)	
100KHz 0.25V Irms=7.0A	ΔT	Temperature rise by 40°C	
Ta@25°C	DCR(4-3)	120.0 mΩ	(Max)
Ta@25°C	DCR(10-9)	300.0 mΩ	(Max)
HI-POT TEST(N1 TO N2)		AC 1.5KV 5mA 2S 50/60Hz	

3.SCHEMATIC DIAGRAM



Note:

- 1.Isat¹:DC current that causes inductance to drop by approximately 10% from OCL at 25°C.
- 2.Isat²:DC current that causes inductance to drop by approximately 30% from OCL at 25°C.
- 3.Isat³:DC current that causes inductance to drop by approximately 30% from OCL at 100°C.
- 4.Irms:DC current that causes an approximate temperature rise (ΔT) of 40°C.

Operating temperature: -25°C ~ +125°C

4.TEST INSTRUMENTS

L&L@Isat&ΔT:WK3260A and WK3265B.

DCR:TH2512B.

HI-POT: CH19053.

● Taiwan 886 2 2698 9699 ● Dongguan 86 769 8791 5567 ● Suzhou 86 512 6832 1472

Sales@easymagnet.com.tw www.easymagnet.com.tw



CUSTOMER		REV NO	1.0
DESCRIPTION	200uH,13.6Amp, 120mOhm Max. PFC Chokes	PAGE NO	2 of 4
PART NO	PFC05343527DV-201MHF	DATE	2013/7/30

6.TEST DATA FOR MECHANICAL

TEST ITEM	A	B	C	D	E1	E2	F	G	H	I	J
	mm	mm	mm	mm	mm	mm	mm	mm	mm	mm	mm
SPEC	34.0	35.0	3.5 ± 1.0	27.0 Max.	7.6 ± 0.5	30.0 ± 0.5	0.8 ± 0.1				
1	32.22	34.01	3.51	26.00	7.58	30.04	0.79				
2	32.25	33.85	3.54	25.99	7.56	29.98	0.79				
3											
4											
5											
6											
7											
8											
9											
10											
AVERAGE	32.24	33.93	3.53	26.00	7.57	30.01	0.79				

REMARK:



CUSTOMER		REV NO	1.0
DESCRIPTION	200uH,13.6Amp, 120mOhm Max. PFC Chokes	PAGE NO	3 of 4
PART NO	PFC05343527DV-201MHF	DATE	2013/7/30

7. TEST DATA FOR ELECTRICAL

TEST ITEM	L(4-3) uH	L@Isat ¹ uH	L@Isat ² uH	L@Isat ³ uH	DCR(4-3) mΩ	DCR(10-9) mΩ	HI-POT TEST
CON.	100KHz 0.25V	100KHz 0.25V Isat ¹ =12.4A @ 25°C	100KHz 0.25V Isat ² =13.6A @25°C	100KHz 0.25V Isat ³ =10.4A @ 100°C	Ta@25°C	Ta@25°C	N1 TO N2
SPEC	200.0 ± 20%	L Lower by 10% (TYP)	L Lower by 30% (TYP)	L Lower by 30% (TYP)	120.0 (Max)	300.0 (Max)	AC 1.5KV 5mA 2S 50/60Hz
1	201.54	185.44	144.06	148.88	88.87	231.00	Pass
2	202.10	188.75	145.50	146.23	89.56	235.00	Pass
3							
4							
5							
6							
7							
8							
9							
10							
AVERAGE	201.82	187.10	144.78	147.56	89.22	233.00	N/A

REMARK:

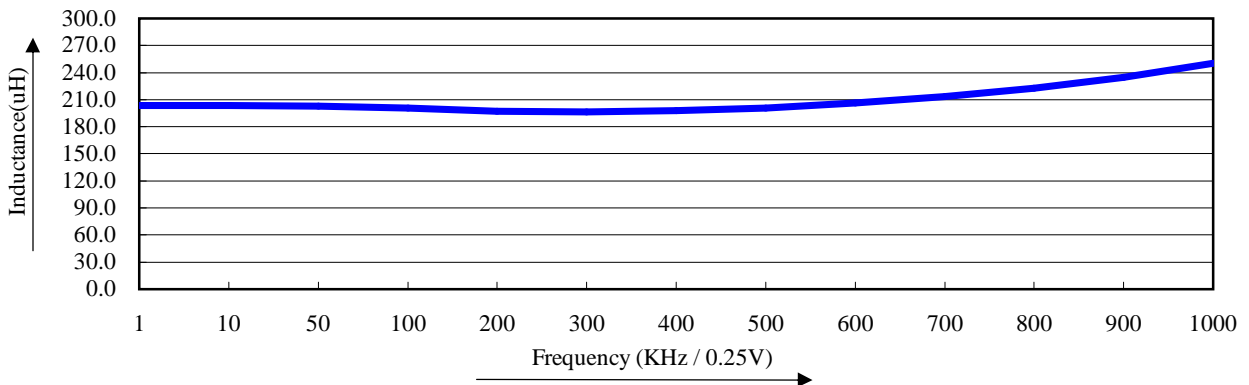
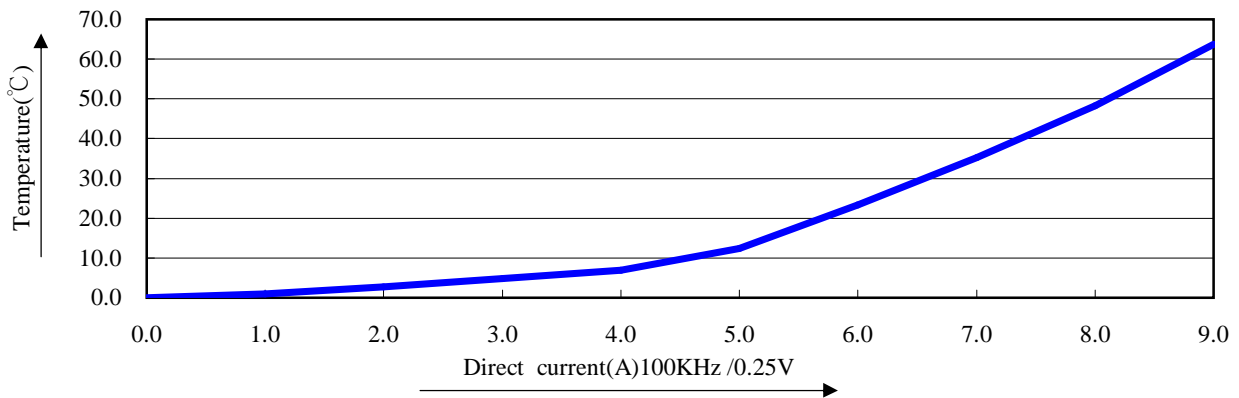
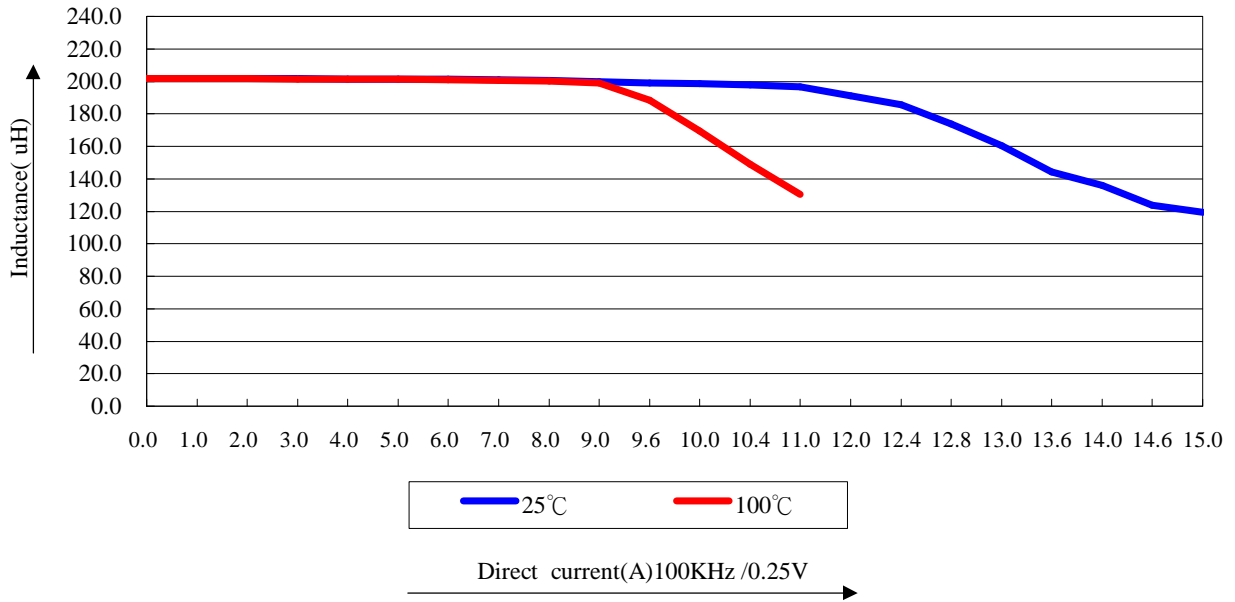
● Taiwan 886 2 2698 9699 ● Dongguan 86 769 8791 5567 ● Suzhou 86 512 6832 1472

Sales@easymagnet.com.tw www.easymagnet.com.tw



CUSTOMER		REV NO	1.0
DESCRIPTION	200uH,13.6Amp, 120mOhm Max. PFC Chokes	PAGE NO	4 of 4
PART NO	PFC05343527DV-201MHF	DATE	2013/7/30

8.ELECTRIE CHARACTERISTICS.



● Taiwan 886 2 2698 9699 ● Dongguan 86 769 8791 5567 ● Suzhou 86 512 6832 1472

Sales@easymagnet.com.tw www.easymagnet.com.tw