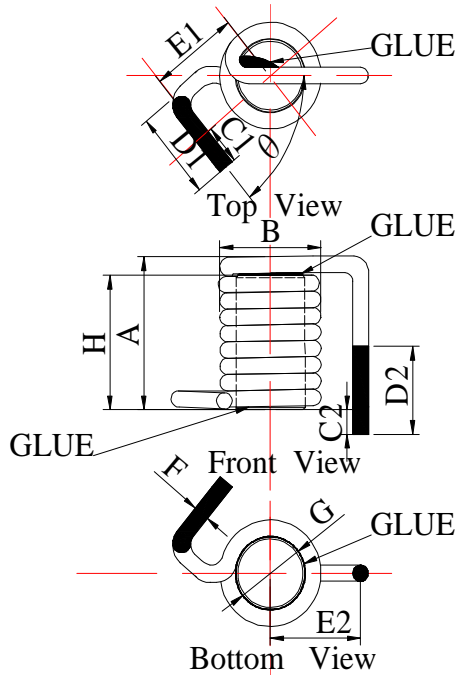


CUSTOMER		REV NO	1.0
DESCRIPTION	Inductor,1.0uH,40A,2.6mΩ DCR	PAGE NO	1 of 1
PART NO	AK1816130070A-1R0MHF	DATE	2013.08.07

**1.CONFIGURATIONS & DIMENSIONS:**



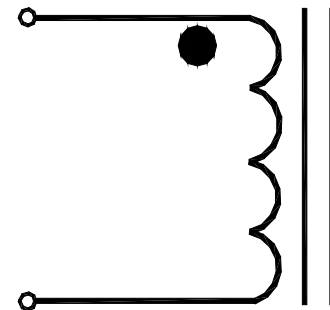
A	18.5	(Max)	mm
B	12.2	(Max)	mm
C1	4.0	± 1.0	mm
C2	2.5	± 0.5	mm
D1	7.0	(Min)	mm
D2	10.0	± 1.0	mm
E1	12.0	± 0.5	mm
E2	12.0	± 0.5	mm
F	1.80	(Ref)	mm
G	8.0	+0.0 -0.3	mm
H	16.0	+0.0 -0.5	mm
θ	50.0	± 10.0	°

**NOTE: G:Core OD; H : Core Length ; D1&D2 : Tinned Area.**

**2.ELECTRICAL CHARACTERISTICS:**

TEST CONDITION					
100KHz 0.25V	L	1.0	uH	±	20%
at 25°C	DCR	2.6	mΩ		(Max)
100KHz 0.25V Isat=40A	L@Isat	L drops 5%			(Typ)
100KHz 0.25V Irms=12A	ΔT	40	°C		(Max)

**3.SCHEMATIC DIAGRAM**



Operating temperature: -55°C ~+130°C

**3.TEST INSTRUMENTS**

L:WK3260B.  
 DCR:Gain Kai Ta 502BCOHM.  
 L@Irms&L@Isat:WK3260B&WK3265B.